



APOLLO 7 PRO

- **7" High Brightness Display**
- **Octa-core Powerful CPU, GPU Supports OpenGL 3.1**
- **IP65 Sealing Level Design**
- **Supports 250K/500K CANbus (J1939, CANopen, ISO15765)**
- **9-36V Wide Voltage Input, Supports Ignition Detection**



OpenGL 3.1



IP65



High Brightness
Screen



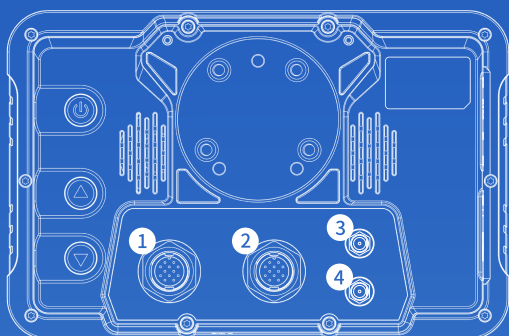
CANbus



CP DEVICE

Product Specs

System	Octa-core, 1.8GHz 2G RAM 16G ROM, Supports 256G TF Extension Android 9.0	Display	7", 1024*600p, 750cd/m ² 5-Points Capacitive Multi-touch Screen
Communication	2.4GHz/5.8GHz WiFi, IEEE 802.11 b/g/n, Supports WiFi Shared Hotspot BT2.1+EDR/3.0/4.1LE/4.2BLE 4G/LTE (Dual SIM Optional) GNSS (GPS/BDS/GLONASS), Optional Centi-meter Level GNSS OEM Board, Optional Interial Navigation Module Built-in MIC (Optional) Built-in Speaker	I/O Interface	RS-232*2 RS-485*1 CAN*2 (Supports J1939, CANopen, ISO15765) USB 2.0*1 720p*2 AHD Camera 12V DC OUT*2 Ethernet*1 (Optional)
Rugged Feature	IP65 Vibration & Shock: MIL-STD-810 Road Vehicle Standard: ISO16750 Humidity 95%, Non-condensing Operation Temperature: -20°C ~+70°C Storage Temperature: -40°C ~+85°C	Power Management	9-36V DC Input Ignition Control
		Mechanical Spec	Dimension (W*H*D): 194*127*29 mm Weight : 0.7 kg
		Button	Power Key*1, Function Key*2
		Connector Type	Standard Industry Waterproof Connector SMA Female Connector*2 (GNSS&4G)



- 1** Power Supply (ACC, GND, B+)
RS232*2
CAN*1
12V Power Output*1
- 2** RS485*1
CAN*1
AHD Camera 720p*4/1080p*2
12V Power Output*1
- 3** 4G Antenna
- 4** GNSS Antenna

APPLICATIONS



Agriculture



Construction



HMI